

Suspension System for METAL Ceilings

METAL U-Profile + DP12 A-Bar

Suspension system for concealed Clip-In solutions

Key features

- Suitable for square tile and rectangular panel layouts, tartan grid layouts (METAL K-Clip) and floating ceilings (METAL D-Clip)
- Installed on the modular U-Profile primary grid system, with unique plug-in clip for quick and accurate installation
- Full range of accessories with multiple suspension options
- Brackets for swing-down functionality or clips for secure installations

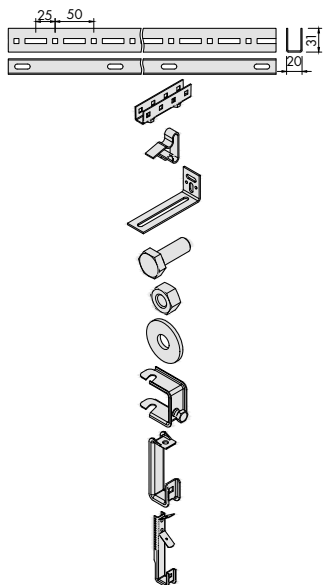
Application areas

- From small service rooms to large commercial office buildings and major transportation terminals as well as clean rooms and *open plan offices (* METAL D-Clip)

Systems

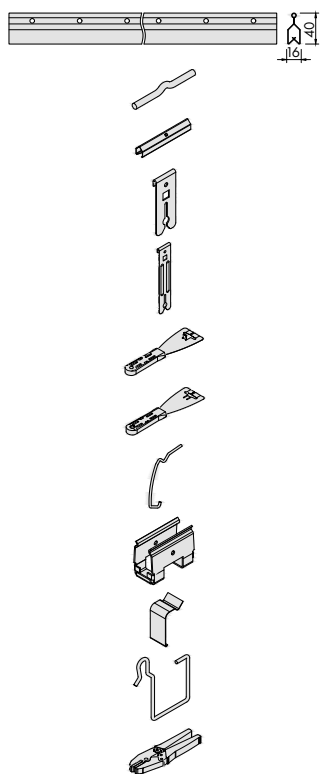
- METAL Q-Clip / METAL Q-Clip F / METAL S-Clip F / METAL R-Clip / METAL R-Clip F / METAL K-Clip / METAL D-Clip / MESH R-Clip

U-Profile & Accessories



Item reference	Description	Dimensions (mm)	Material	Colour	Content/carton		Weight/carton
					pcs	lm	kg
M300100	U-Profile	3746 x 20 x 31	Galvanised steel	-	10	37.5	28.9
M300119	Splice connector for U-Profile	95 x 23 x 17	Galvanised steel	-	100	-	5.3
M300120	Plug-in clip for U-Profile	20 x 21 x 6	Spring steel	-	100	-	0.2
M300140E	Wall anchor (except for METAL Sky Element Hook)	90 x 35 x 25	Galvanised steel	-	100	-	3.7
M311303B	Hexagonal bolt M6 x 16 mm	M6 x 16	Galvanised steel	-	500	-	2.5
M311103B	Hexagonal nut M6	M6 x 5	Galvanised steel	-	1000	-	3.0
M311305B	Washer M6 18 x 1.6 mm	Ø 18 x 1.6	Galvanised steel	-	200	-	0.6
M300121	Clamping bracket for U-Profile	43 x 37 x 20	Spring steel	-	100	-	2.3
M300366	Hanger for U-Profile	85 x 33 x 19	Galvanised steel	-	100	-	3.8
M300166	Combi-Nonius hanger for U-Profile	156 x 36 x 19	Galvanised steel	-	100	-	6.6

DP12 A-Bar & Accessories

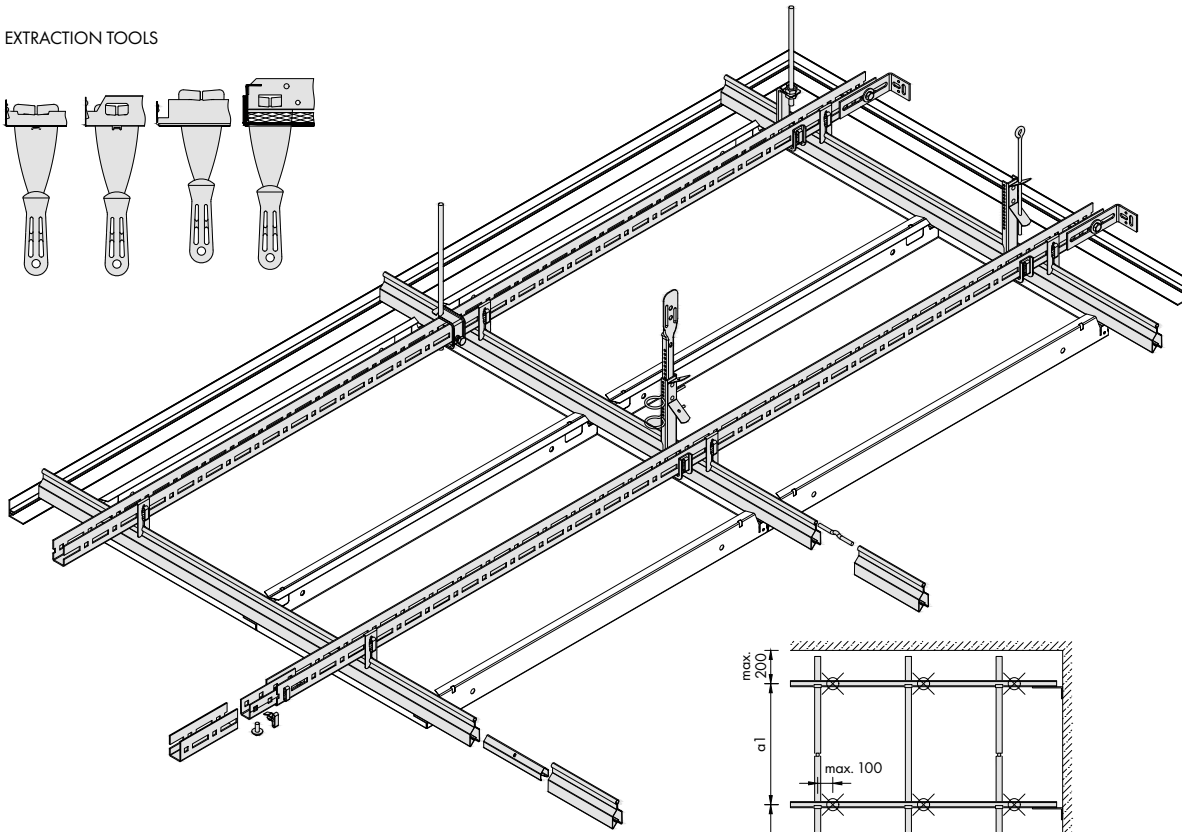
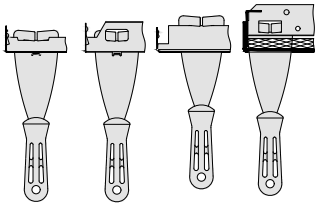


Item reference	Description	Dimensions (mm)	Material	Colour	Content/carton		Weight/carton
					pcs	lm	kg
M311022	DP12 A-Bar	3997 x 40 x 16	Galvanised steel	-	10	40	21.3
M300138	Connection-pin for DP12 A-Bar	60 x Ø 4.5	Galvanised steel	-	100	-	0.8
M311023	Splice connector for DP12 A-Bar	100 x 17 x 15	Galvanised steel	-	100	-	2.0
M300105D	Hanger for DP12 A-Bar	52 x 20 x 4	Galvanised steel	-	100	-	0.6
M300155	Large hanger for DP12 A-Bar (optional)	100 x 20 x 4	Galvanised steel	-	100	-	0.7
M311028C	Extraction tool (METAL Q-Clip, METAL Q-Clip F, METAL R-Clip, METAL R-Clip F, METAL K-Clip, METAL Sky Element Hook)	228 x 60 x 20	Stainless steel / plastic	-	1	-	0.1
M311046E	Extraction tool (METAL S-Clip F, MESH R-Clip)	228 x 60 x 20	Stainless steel / plastic	-	1	-	0.1
M300106	Security clip (except for METAL S-Clip F)	54 x 40 x Ø2	Spring steel	-	100	-	0.2
M311027	Swing-down clip for Window function	43 x 33 x 20	Spring steel	-	100	-	2.4
M300157	Security clip for Window function	38 x 24 x 10	Spring steel	-	100	-	0.4
M300188	Swing-down clip for Access function (DP12 A-Bar)	62 x 39 x Ø2.5	Spring steel	-	100	-	0.7
M311180	Nubby pliers (METAL Q-Clip, METAL Q-Clip F, METAL R-Clip, METAL R-Clip F, METAL K-Clip)	224	Steel / plastic	-	1	-	0.5

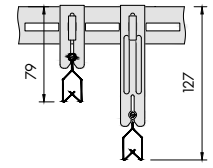
Suspension System for METAL Ceilings
METAL U-Profile + DP12 A-Bar

System Drawing

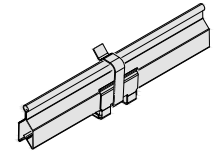
EXTRACTION TOOLS



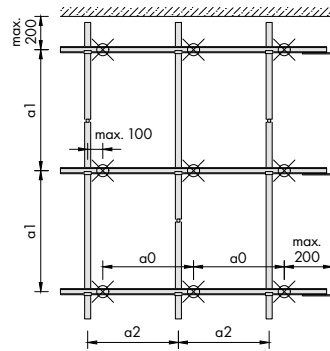
HANGER OPTIONS



WINDOW FUNCTION



SECURITY CLIP



■ Spacing Parameters

METAL Spacing Parameters

a2 (mm)	500	600	700	800	900	1000	1100	1200	1300	1400	1500	1600	1700	1800	1900	2000	2100	2200	2300	2400	2500
a0 (mm)	1500	1200	1400	1600	900	1000	1100	1200	1300	1400	1500	1600	1700	1800	1900	1000	1050	1100	1150	1200	1250
a1 (mm)	1550	1900	1750	1450	1550	1500	1450	1350	1300	1300	1250	1200	1150	1100	950	1050	1050	1000	1000	1000	950
a1* (mm)	1050	1700	1250	1500	1400	1350	1300	1250	1200	1150	1100	1000	850	700	600	950	900	900	850	850	850

MESH Spacing Parameters

a2 (mm)	500	600	700	800	900	1000	1100	1200	1300	1400	1500	1600	1700	1800	1900	2000	2100	2200	2300	2400	2500
a0 (mm)	1000	1200	1400	1600	900	1000	1100	1200	1300	1400	1500	1600	1700	1800	1900	1000	1050	1100	1150	1200	1250
a1 (mm)	1850	1750	1350	1050	1450	1400	1300	1250	1200	1150	1150	1100	950	800	650	1000	950	950	900	900	900
a1* (mm)	1700	1350	1000	750	1300	1250	1200	1150	1100	1050	900	750	700	550	450	900	850	850	800	800	800

* System with additional load + 4 kg/m²
 a0 = Distance between U-Profile suspension points, a1 = Distance between U-Profiles, a2 = Distance between DP12 A-Bars
 Typical ceiling weight = Metal 7.5 - 9.0 / Mesh 8.5 - 10.5 kg/m² (Indicative values for unperforated products, including suspension components, no additional load)

Fire reaction		Euroclass A1 as per EN 13501-1	RUS KMO (NG) / KM1 (G1, V1, D1, T1) as per 123-FZ
Indoor air quality			
Cleanability			
Sustainability		EN ISO 14001 =14%	

All measurements in millimetres. All sizes are nominal.